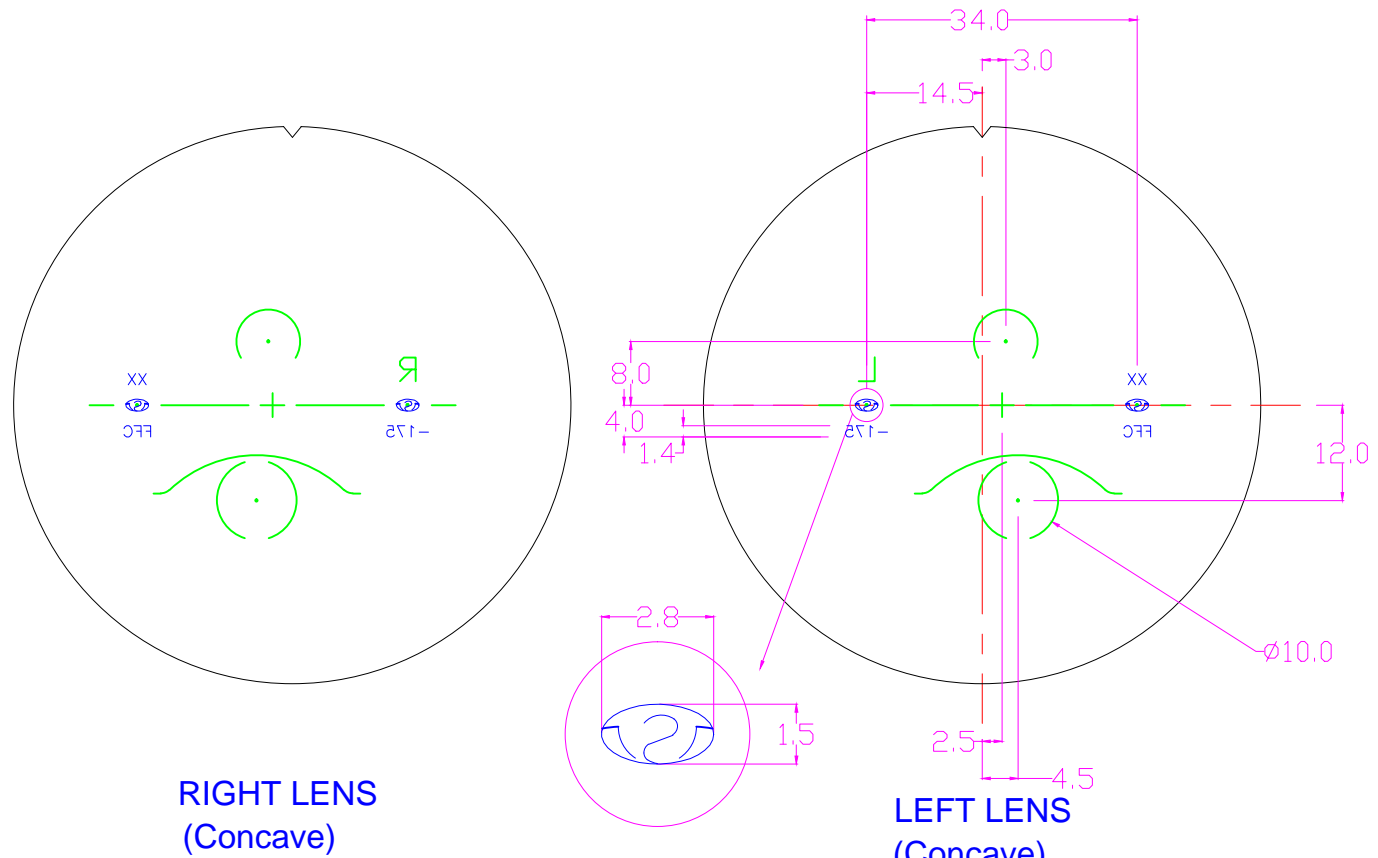


Shamir Computer



RIGHT LENS
(Concave)

Scale 5:1

LEFT LENS
(Concave)

Material	Laser marking - XX
Hard Resin	15
1.5 Transitions	TR
1.5 Xtractive	X5
1.5 Polarized	PZ
Trivex 1.53/NXT	TX
Trivex Transitions	TTX
Trivex Xtractive	XX
Mid index 1.56	56
1.586	PC
1.586 Transitions	PT
1.586 Xtractive	PX
Clear 1.6	16
1.6 Transitions	T6
1.6 Xtractive	X6

Green = Tampo Print Markings

BLUE = Laser Markings



Kibbutz Shamir, 12135 Israel
Tel: 972-4-6947810
Fax: 972-4-6951302

Drawing file:
L:\ACADDWG\SHVUK\Customers\Free Form\Shamir\Shamir Computer\Shamir Computer.dwg

Scale: Not to scale

Revisions: Rev 5

	No.	Date	By	Changes	
					Dimensions in [mm]
	1	06.12.10	Sveta		
	2	04.05.11	Sveta		
Drawn	04.02.10	Sveta	3	19.07.11	Sveta
Checked	02.07.13	Shirley	4	30.07.12	Sveta
Approved	12.09.12	Lilia	5	10.09.12	Sveta